



ALUMINUM/STEEL

16' and 20' Four- Piece
Walk-Through Center
Section Turf Booms

OEM Option

Spraying Pass Analysis

Spraying Area Width (Yards)	10	20	30	40	50	60	70	80	90	100
Boom Width (Ft)	Number of Spraying Passes									
6.7	5	9	14	18	23	27	32	36	41	45
10.0	3	6	9	12	15	18	21	24	27	30
13.3	3	5	7	10	12	14	16	19	21	23
16.7	2	4	6	8	9	11	13	15	17	18
20.0	2	3	5	6	8	9	11	12	14	15

**STEELGREEN 120 Gallon Sprayer
with 20' Four-Piece Walk Through
Center Section Boom**



Structure Integrity and Durability

Light-weight aluminum structures, supported by steel components at key locations, to minimize wheel tracts and drive train component wear.

Riveted aluminum structure to eliminate weld joint fatigue cracking.

Dual Wall (Outer Triangle and Inner Hexagon) cross section design for durability

Integrated Spray Components

WILGER Quick-Nut stainless steel boom plumbing or rubber hose plumbing configurations

WILGER Combo Rate II Dual Nozzles (Integrated Single and 3-way turret nozzle bodies) and tips

Technology Performance Option

CAPSTAN PinPoint III spray technology with Integrated Mapping Rate Controller, Turn Compensation and Individual Nozzle Section Control

AG LEADER and TRIMBLE Mapping Rate Controller and RTK GPS, Individual Nozzle Section Control, Auto Steer, Automatic Boom Height Control, Coordinating Sprayer Control

WILSCOT Spray-Redi Boom Recirculation



FEATHERWEIGHT™

WILSCOT, LLC

507 S Washington St. New Ulm, MN 56073

Steve Willey 507.380.9884

swilley50@gmail.com

Derik Geitgey 330.601.4138

dgeitgey@aginfotech.net

Travis Morris 330.621.1015

tmorris@aginfotech.net

ALUMINUM/STTEL

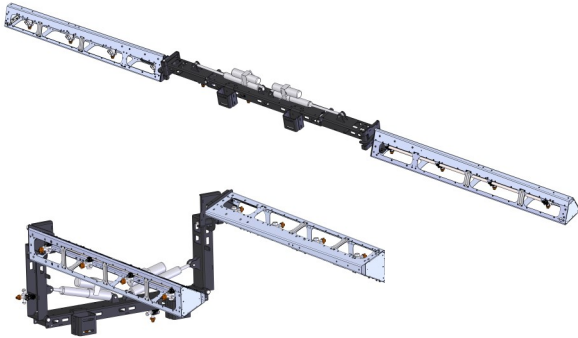
20' Three Piece Center
Section Turf Boom



OEM and Aftermarket Replacements

Greens, Tees and Fairway Spraying Pass Analysis

Spraying Area Width (Yards)	10	20	30	40	50	60	70	80	90	100
Boom Width (Ft)	Number of Spraying Passes									
18	2	4	5	7	9	10	12	14	15	17
20	2	3	5	6	8	9	11	12	14	15



TORO Sprayers

20' Three-Piece Center Section



DEERE Sprayers

20' Three-Piece Center Section Boom



Structure Integrity and Durability

Light-weight aluminum structures, supported by steel components at key locations, to minimize wheel tracts and drive train component wear.

Riveted aluminum structure to eliminate weld joint fatigue cracking.

Dual Wall (Outer Triangle and Inner Hexagon) cross section design for durability

Integrated Spray Components

WILGER Quick-Nut stainless steel boom plumbing or rubber hose plumbing configurations

WILGER Combo Rate II Dual Nozzles (Integrated Single and 3-way turret nozzle bodies) and tips

Technology Performance Option

CAPSTAN PinPoint III spray technology with Integrated Mapping Rate Controller, Turn Compensation and Individual Nozzle Section Control

AG LEADER and TRIMBLE Mapping Rate Controller and RTK GPS, Individual Nozzle Section Control, Auto Steer, Automatic Boom Height Control, Coordinating Sprayer Control

WILSCOT Spray-Redi Boom Recirculation



WILSCOT, LLC

507 S Washington St. New Ulm, MN 56073

Steve Willey 507.380.9884

swilley50@gmail.com

Derik Geitgey 330.601.4138

dgeitgey@aginfotech.net

Travis Morris 330.621.1015